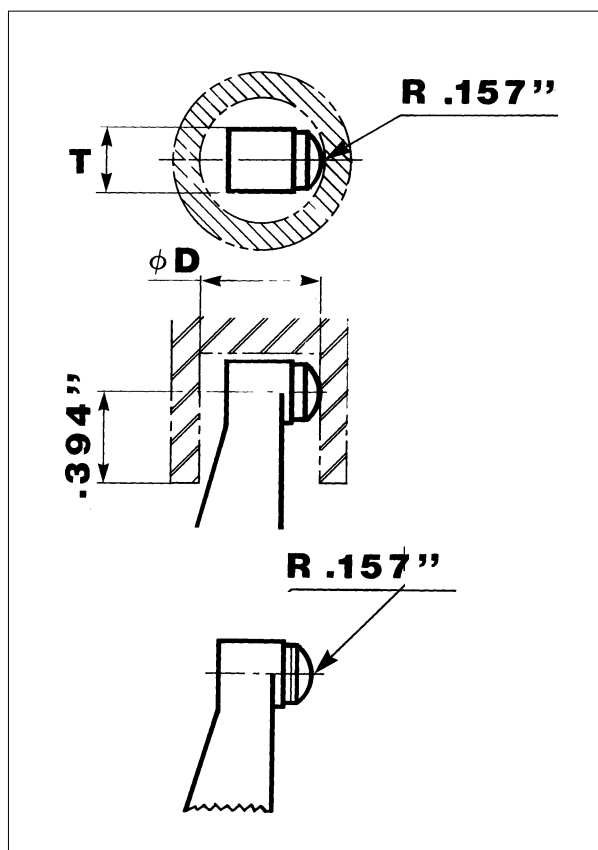


Fowler

Digitrix II Ball Anvil Micrometers



▲ Ball Anvil Digitrix II #54-906-271



Ball Anvil design combined with all the advantages of the Fowler Digitrix II Electronic Micrometer.

The ball anvil design creates a spherical anvil/single point contact surface. Ideal for insertion & measuring of curved and cylindrical surfaces such as sleeves, collars, tubing, etc. This design ensures quick, accurate gaging from inside of holes to outside edges.

The Digitrix II Advantage:

- Includes all the features of the original Digitrix II Computerized Micrometers.
- True inch/metric conversion. Large LCD is easily read to .0001" (.001mm) with a .00005" indicator.
- Output allows connection to the QC Printer/ Calculator, data-loggers and interfaces for SPC applications.
- Satin chrome finish, carbide tipped spindle, ratchet thimble and locking knob.
- "Hold" feature holds values in the display.
- Absolute/relative modes allow measurements of the true size or comparison measurements of part to master.
- Uses 2 #54-902-110 batteries (included).



Order No.	Description	Dim."D"	Dim."T"
54-906-271	0-1"(0-25mm) Ball Anvil Digitrix II.	.551"	.276"
54-906-272	1-2"(25-50mm) Ball Anvil Digitrix II.	.630"	.276"
54-906-273	2-3"(50-75mm) Ball Anvil Digitrix II.	.670"	.276"
54-906-274	3-4"(75-100mm) Ball Anvil Digitrix II.	.787"	.276"