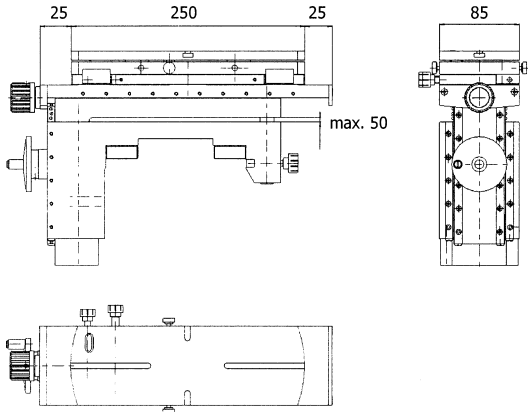


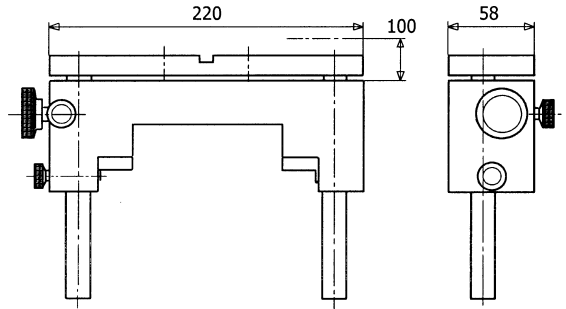


# Horizon Premium Accessories

## MEASURING TABLES AND ADJUSTABLE SUPPORTS



54-196-160



54-196-107 (pair)  
54-196-108 (one only)

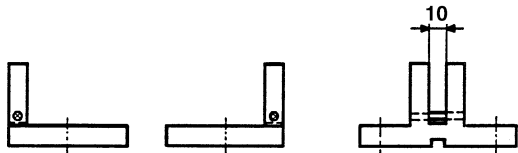
## SUPPORTING/CLAMPING DEVICES FOR MEASURING TABLES AND SUPPORTS



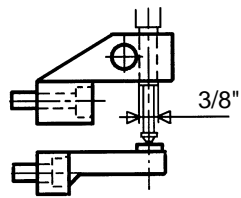
54-190-802 for use w/54-196-107



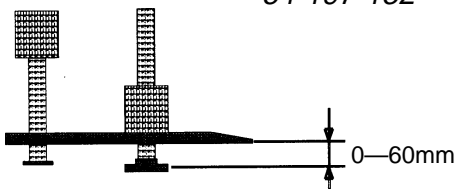
54-196-022 for use w/54-196-107



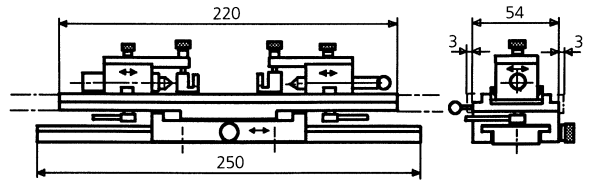
54-197-121 for use w/54-196-107



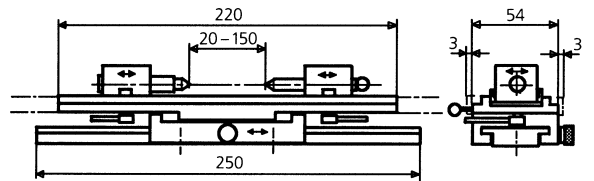
54-197-132



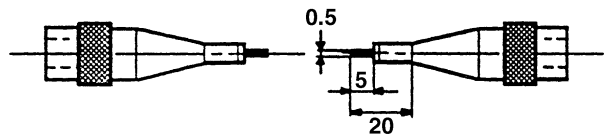
54-197-142



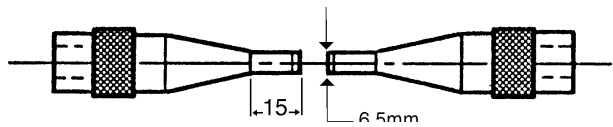
54-197-106



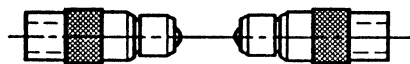
## ACCESSORIES FOR EXTERNAL MEASUREMENTS



54-190-865



54-190-806 - Ø6.5mm  
54-197-806 - Ø8mm



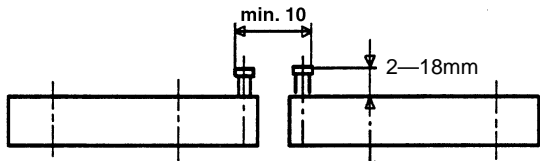
54-190-807



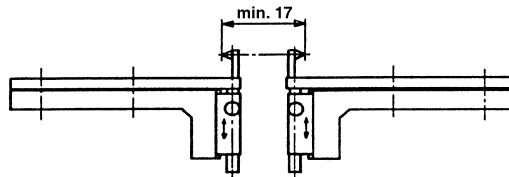


# Horizon Premium Applications

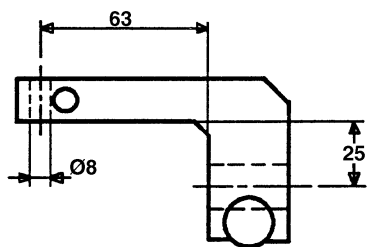
## ACCESSORIES FOR INTERNAL MEASUREMENTS



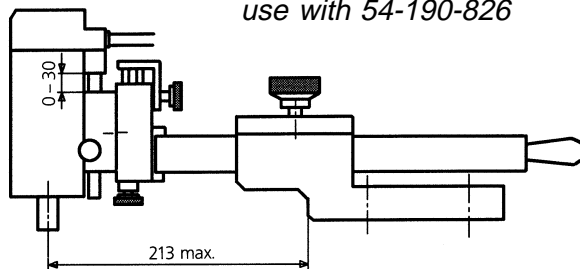
54-190-809



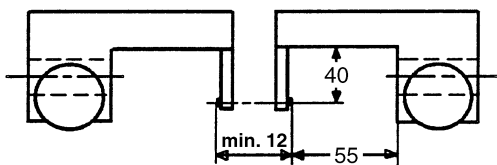
54-190-818  
use with 54-190-826



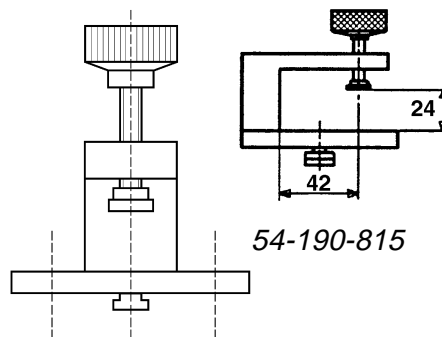
54-197-016



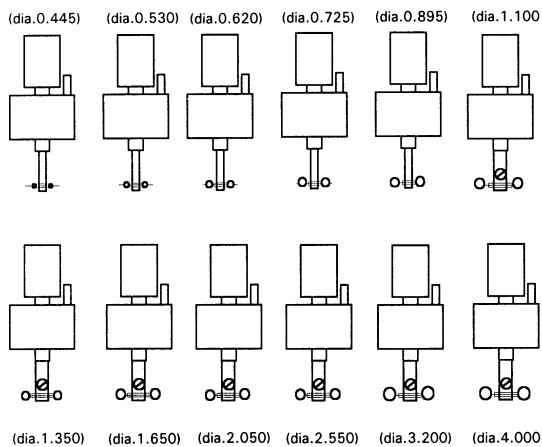
54-197-070 and  
54-197-074



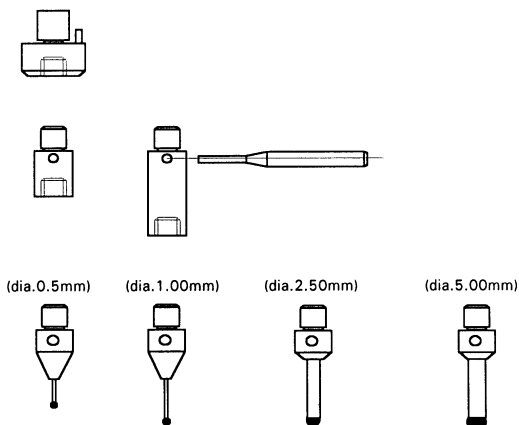
54-197-162



54-190-815



54-197-075



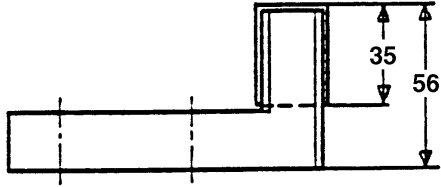
54-197-076



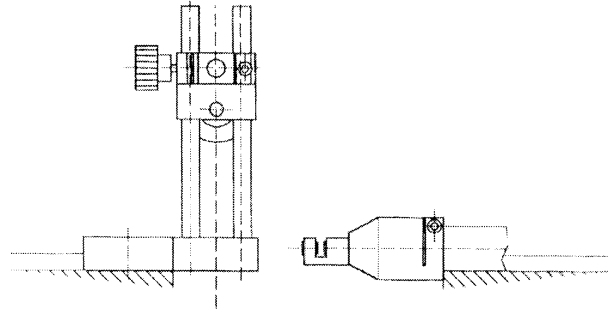


# Horizon Premium Applications

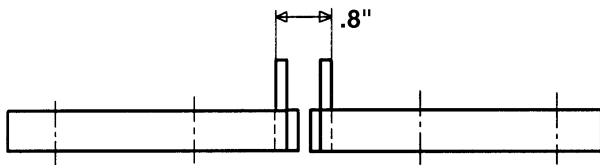
## ACCESSORIES FOR SETTING AND CHECKING



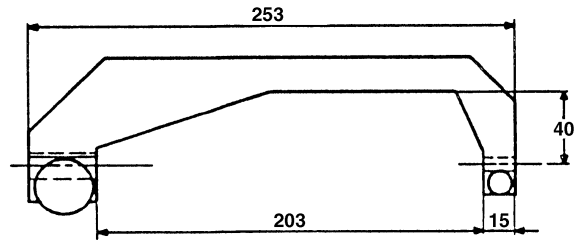
54-190-828 (25mm)  
54-190-805 (1")



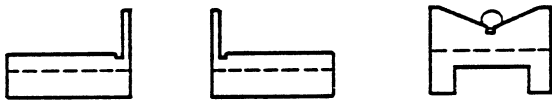
54-197-115



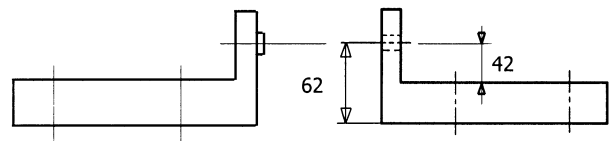
54-196-006



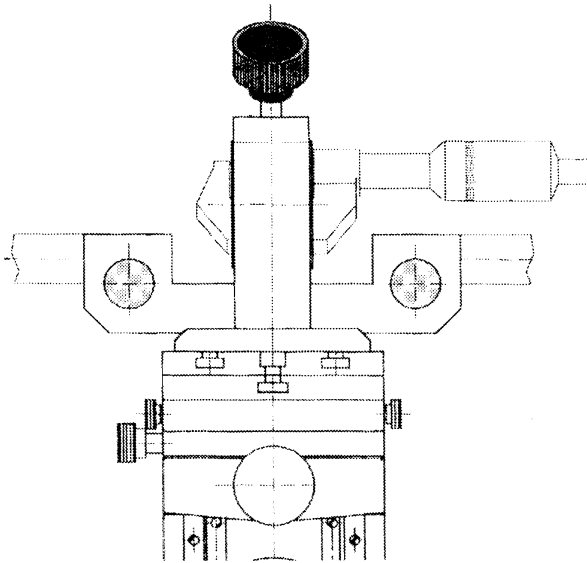
54-197-015



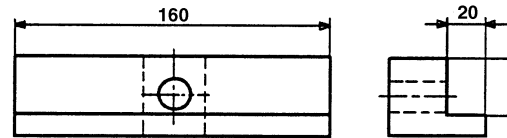
54-190-825



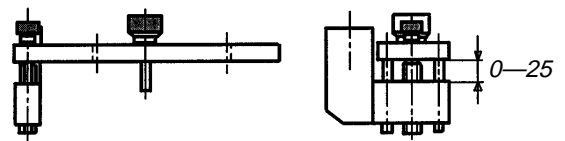
54-190-823



54-197-114



54-190-820



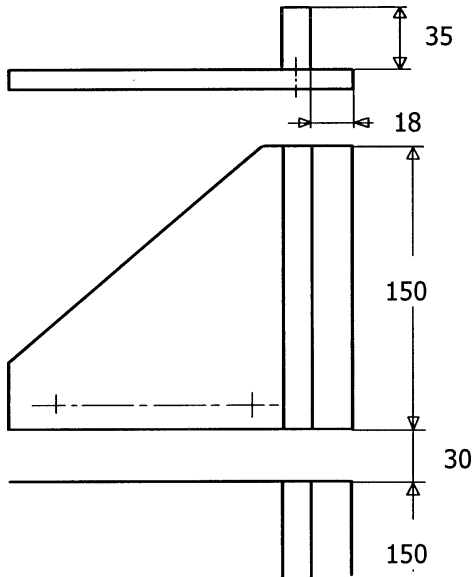
54-196-040



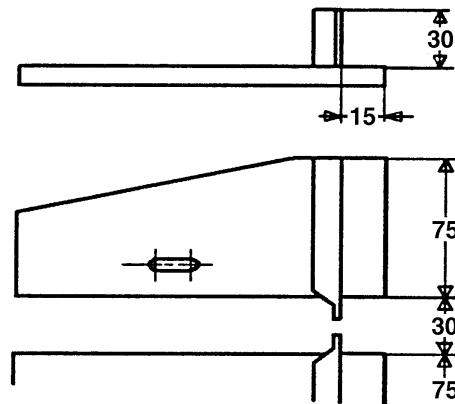


Horizon Premium Applications

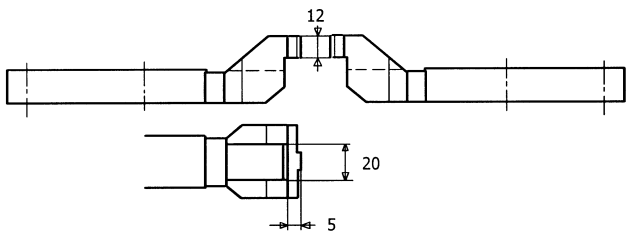
ACCESSORIES FOR SETTING AND CHECKING cont.



54-190-817



54-190-829

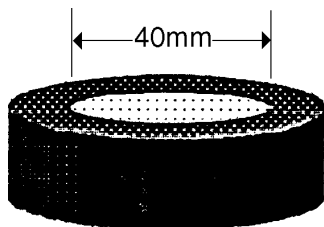


54-196-008

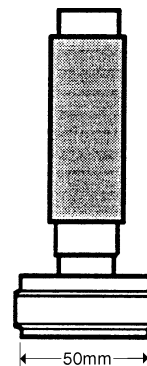


54-190-810 (.4")  
54-190-830 (10mm)

MISCELLANEOUS



54-197-040



54-197-050

