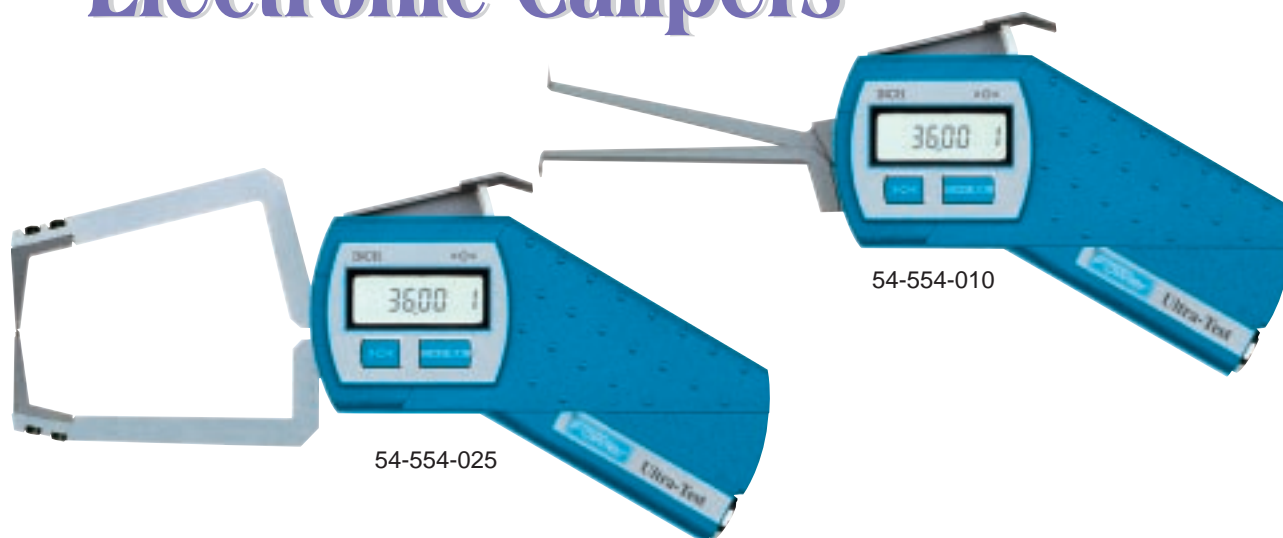


Fowler Product Update Bulletin

Bulletin #212

from Fowler Internal/External Electronic Calipers



- Fast and accurate measuring results
- Programs for absolute and relative measurements (zero preset)
- Operates on a 3V lithium battery. No cables needed
- Inch/metric conversion
- Large LCD display
- Suitable for workshop and lab use
- Data transfer via RS 232 and Mitutoyo serial interfaces
- Price includes certificate of quality, operating instructions, battery, hexagon socket screw key, packed in a fitted carton

Order No.	Range	Description	Price Ea.
54-554-005	.2—.7"(5—17.5mm)	Internal Electronic Caliper	\$885.00
54-554-010	.4—1.4"(10—35mm)	Internal Electronic Caliper	885.00
54-554-030	1.2—2.2"(30—55mm)	Internal Electronic Caliper	885.00
54-554-050	2.0—3.0"(50—75mm)	Internal Electronic Caliper	885.00
54-554-070	2.8—3.8"(70—95mm)	Internal Electronic Caliper	885.00
54-554-207	2.8—4.8"(70—120mm)	Internal Electronic Caliper	885.00
54-554-012	.008—.5"(.2—12.5mm)	External Electronic Caliper	885.00
54-554-025	.01—1.0"(.3—25mm)	External Electronic Caliper	885.00
54-554-205	.02—2.0"(.5—50mm)	External Electronic Caliper	885.00

(C-3)



Fred V. Fowler Company, Inc.
66 Rowe Street • Newton, MA 02166
617/332-7004 • FAX 617/332-4137

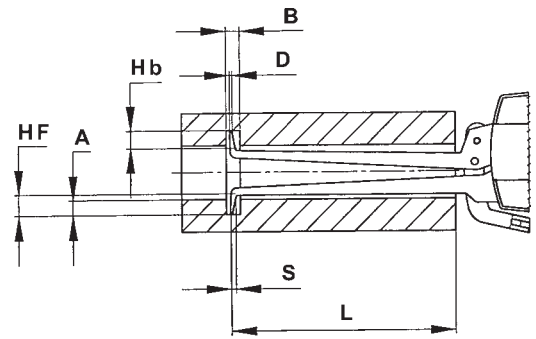
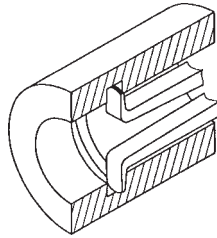
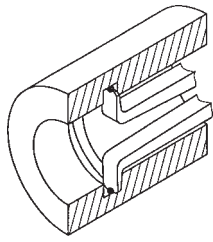
1-800-788-2353

Internet

www.fvfowler.com

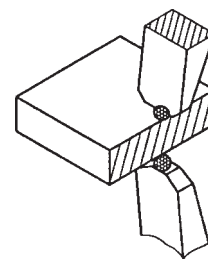
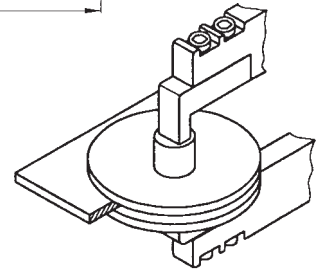
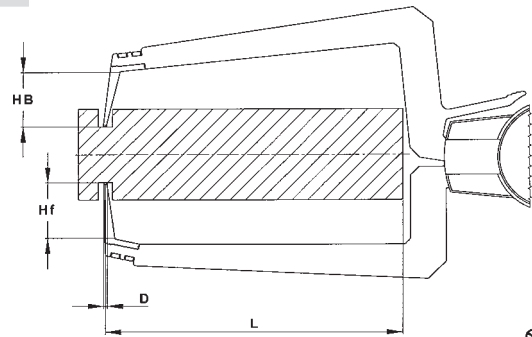
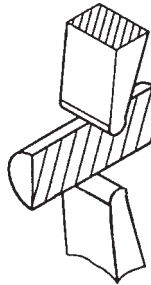
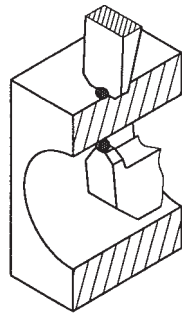
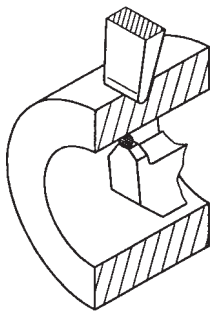
Distributed by:

Internal Calipers



Internal Specs		54-554-005	54-554-010	54-554-030	54-554-050	54-554-070	54-554-207
Range of application	A w b	.2— .7" (5—17.5mm)	.4—1.4" (10—35mm)	1.2—2.2" (30—55mm)	2—3" (50—75mm)	2.8—3.8" (70—95mm)	2.8—4.8" (70—120mm)
Measuring range	Meb	.5"(12.5mm)	1"(25mm)	1"(25mm)	1"(25mm)	1"(25mm)	2"(50mm)
Resolution	Z w	.0002"(.005mm)	.0005"(.01mm)	.0005"(.01mm)	.0005"(.01mm)	.0005"(.01mm)	.0008"(.02mm)
Deviation in measuring range	fM	±.02mm	±.03mm	±.03mm	±.03mm	±.03mm	±.04mm
Repeatability	f w	.015mm	.03mm	.03mm	.03mm	.03mm	.04mm
Measuring depth	L	.787"(20mm)	3.15"(80mm)	3.15"(80mm)	3.15"(80mm)	3.15"(80mm)	6.89"(175mm)
Groove depth	A	1.5mm	4.5mm	.236"(6mm)	.315"(8mm)	.315"(8mm)	.315"(8mm)
Groove width	B	1.3mm	1.7mm	2.5mm	.118"(3mm)	4.5mm	3.3mm
Type of measuring contact	D	KØ 0.8	KØ 1	KØ 1	KØ 1	KØ 1	KØ 2
Measuring contact length/movable	Hb	2.5mm	.197"(5mm)	.276"(7mm)	.394"(10mm)	.394"(10mm)	10.5mm
Measuring contact length/fix	Hf	2.5mm	.197"(5mm)	.276"(7mm)	.787"(20mm)	.787"(20mm)	40.5mm
Measuring contact thickness	S	1.2mm	1.2mm	1.9mm	2.5/4mm	2.5/4mm	2.5/5mm
Minimum measuring force	Fmin	0.9N	0.9N	0.9N	0.9N	0.9N	1.2N
Maximum measuring force	Fmax	1.5N	1.5N	1.5N	1.5N	1.5N	2.0N

External Calipers



External Specs		54-554-012	54-554-025	54-554-205
Range of application	A w b	.008—.5" (2—12.5mm)	.01—1.0" (.3—25mm)	.02—2.0" (.5—50mm)
Measuring range	Meb	12.3mm	24.7mm	49.5mm
Resolution	Z w	.005mm	.01mm	.02mm
Deviation in measuring range	fM	±.015mm	±.02mm	±.04mm
Repeatability	fW	.02mm	.02mm	.04mm
Measuring depth	L	.984"(25mm)	3.15"(80mm)	6.70"(170mm)
Type of measuring contact	D	KØ 1.5	KØ 1.5	KØ 2
Measuring contact length/movable	Hb	.866"(22mm)	.866"(22mm)	1.26"(32mm)
Measuring contact length/fix	Hf	.039"(1mm)	.866"(22mm)	1.26"(32mm)
Minimum measuring force	Fmin	0.9N	0.9N	1.2N
Maximum measuring force	Fmax	1.5N	1.5N	2N