

# Fowler Product Update Bulletin

Bulletin #228

Fowler/Sylvac

## Ultra-Light Mark III Calipers



### Special Features:

- Internal and external measurements with two presets.
- Min/Max functions.
- Hold feature freezes display for later viewing.
- Incremental floating zero.
- Constant measuring pressure.
- Large, high-contrast LCD display indicates in/mm, hold and zero functions.
- New low drain, high efficiency lithium wafer battery—4500 hrs. of continuous on-time.
- Direct inch/metric conversion.
- Direct RS232C output
- Special application accessories available.
- Includes fitted wooden case.

### Specifications:

- External Jaws: Length = 6"(150mm); thickness = .4" (10mm); material: titanium coated stainless steel.
- Internal Pins: Length = .71" (18mm) diameter of nibs = .2" (5mm); material = tungsten carbide.
- Measuring Speed = 60"/1.5m per second.

Fowler/Sylvac's new lightweight heavy-duty electronic digital calipers include sizes up to 60"(1500mm) and resolution of .0005"(.01mm). This has been achieved by designing a well-balanced instrument utilizing state-of-the-art material technology. Functional parts are made of the latest wear-resistant materials. Hollow section aluminum beam reinforced by two stainless steel guides. This system assures perfect guidance and protects the beam against shocks.

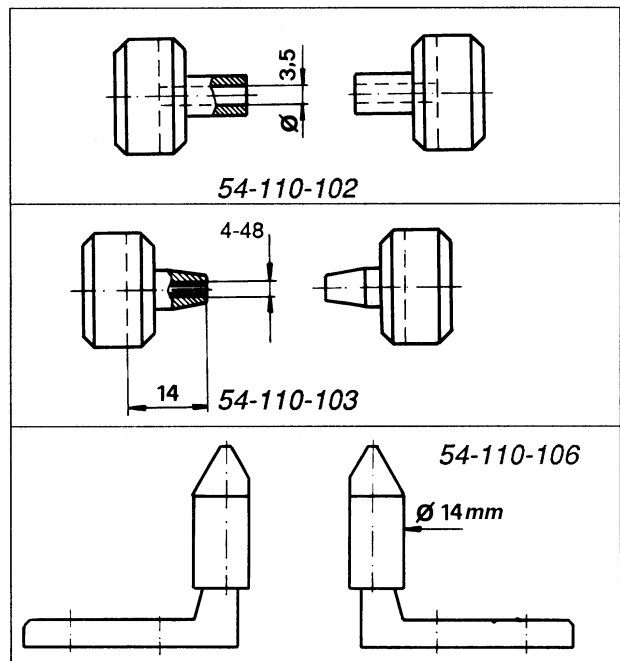
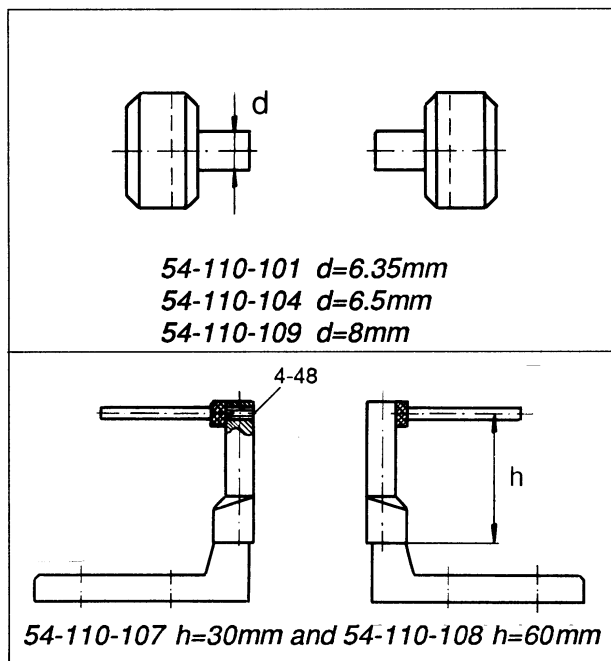
These Calipers offer many advantages over conventional calipers:  
 Lightness improves measuring results. Measuring pressure control for improved repeatability. All work contact faces are titanium-coated on hardened steel or are solid carbide. Fixed left jaw increases rigidity.



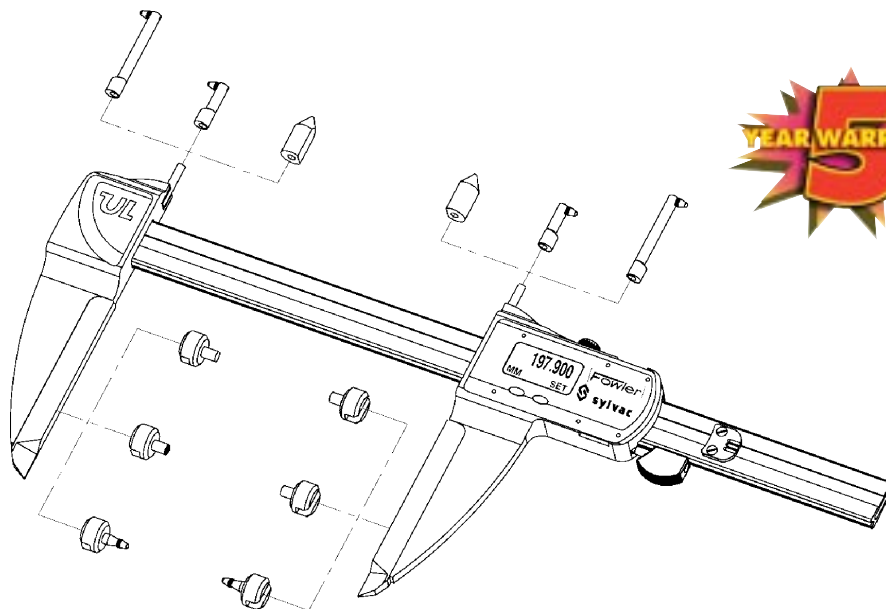
Order No.	Range	Accuracy	Repeatability	Weight	Price
54-110-312	0-12"/300mm	.0012"(.03mm)	.0008"(.02mm)±2s	2.4lb(1.1kg)	\$975.00
54-110-324	0-24"/600mm	.0016"(.04mm)	.0008"(.02mm)±2s	2.9lb(1.3kg)	1,395.00
54-110-340	0-40"/1000mm	.0024"(.06mm)	.0008"(.02mm)±2s	3.5lb(1.6kg)	1,695.00
54-110-360	0-60"/1500mm	.006"(.15mm)	.0008"(.02mm)±2s	4.4lb(2kg)	2,495.00

(C-3)

**Fred V. Fowler Co., Inc**  
 66 Rowe St. • Newton, MA 02466  
 617/332-7004 • Fax 617/332-4137  
**1-800-788-2353**  
 Internet  
[www.fvfowler.com](http://www.fvfowler.com)  
 email - sales@fvfowler.com



▲ Contact points not included.



Order No.	Description	Price
54-110-101	Thread wire holder, diameter 6.35mm pair	\$67.00
54-110-102	Thread insert holder, diameter 3.5mm pair	80.00
54-110-103	Contact Point holder, 4-48 thread pair	80.00
54-110-104	Thread wire holder, diameter 6.5mm pair	67.00
54-110-106	Centerline cones 14mm pair	110.00
54-110-107	Groove attachment, 30mm pair	115.00
54-110-108	Groove attachment, 60mm pair	128.00
54-110-109	Thread wire holder, diameter 8mm pair	67.00
54-110-412	Replacement case for #54-110-312	165.00
54-110-424	Replacement case for #54-110-324	195.00
54-110-440	Replacement case for #54-110-340	495.00
54-110-460	Replacement case for #54-110-360	505.00
54-115-333	Simplex Connection Kit. Includes 80"(2m) connecting cable with 9 pin IBM compatible, 9/25 pin adaptor, support disk and instruction book.	99.50