

Fowler Product Update Bulletin

Bulletin #227



Z-Cal 600 XT Height Gage

Motorized movement • Low measuring force
Full numeric keypad • Air-bearing base

Introducing Fowler/Sylvac's new Z-Cal 600 XT Height Gage with 24" range. The new Z-Cal 600 XT offers Sylvac's patented measuring system in a stylish easy to use height gage.

- Measures heights, internal and external diameters and centerlines.
- Min/Max/Tir modes.
- Optical indicators for tolerances.
- Programmable measuring sequence.
- Includes \bar{x} charts, histograms and statistics.



Specifications

	54-930-600
Measuring range	0—24"(600mm)
Resolution	.0005"/.00005"(.01/.001mm)
Accuracy	.00024"(6 μ m)
Repeatability	.00008"/2 μ m(\pm 2S)
Operational speed	8"(0.2m)/sec
Display refresh rate	12 per sec
Measuring force	1 oz. (0.3N)
Operational time	10 hours
Weight	26.4lb/12kg
Data output	RS232 (Bidirectional)

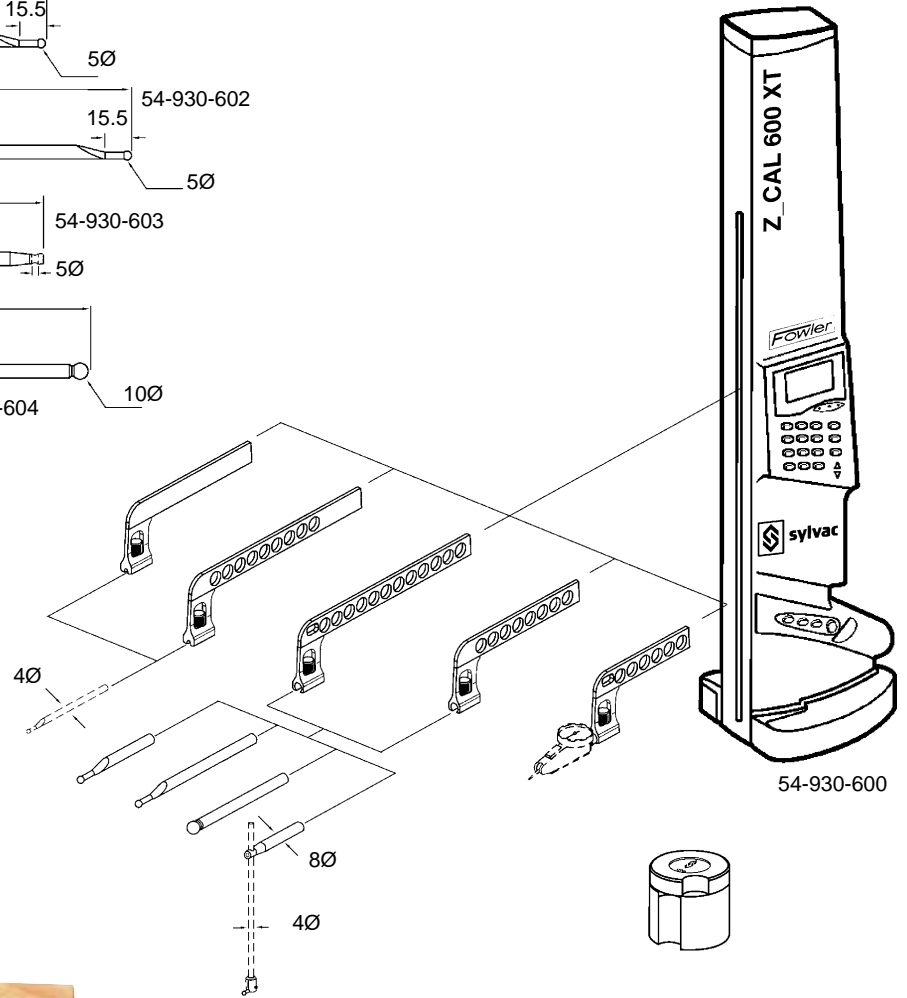
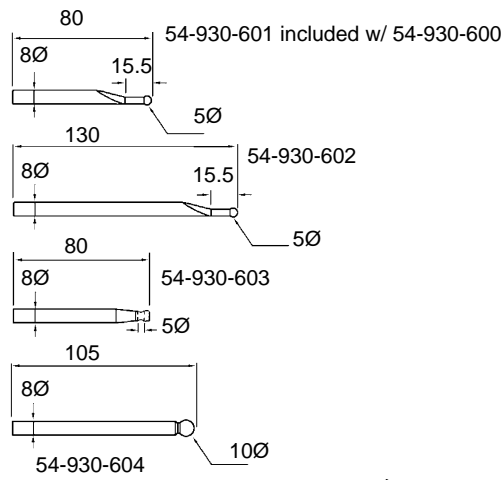
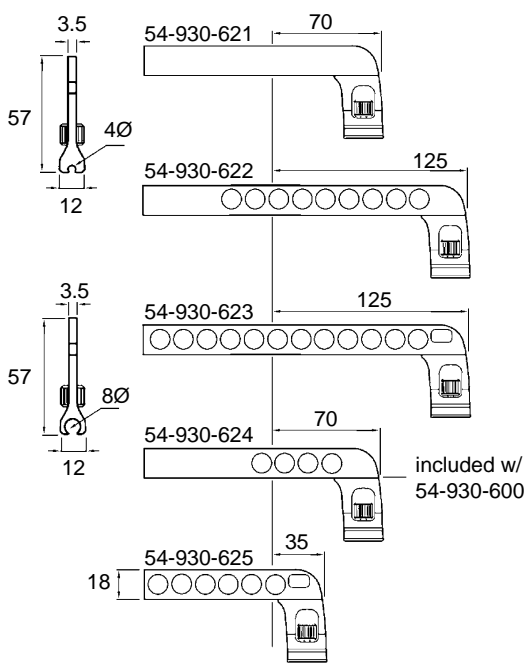


Fred V. Fowler Co., Inc
66 Rowe St. • Newton, MA 02466
617/332-7004 • Fax 617/332-4137

1-800-788-2353

Internet

www.fvfowler.com
email - sales@fvfowler.com



All dimensions are in mm



54-930-215



54-930-217

Order No.	Description	Price
54-930-600	24"/600mm Z-Cal 600 XT	\$7,200.00
54-930-621	Standard 4mm holder	225.00
54-930-622	Long 4mm holder	250.00
54-930-623	Long 8mm holder	250.00
54-930-624	Standard 8mm holder (included with 54-930-600)	225.00
54-930-625	Short 8mm holder	280.00
54-930-601	Standard 5mm probe (included with 54-930-600)	105.00
54-930-602	Long 5mm probe	125.00
54-930-603	Depth holder	75.00
54-930-604	10mm probe	195.00
54-930-215	15 pc. Large deluxe probe set	675.00
54-930-217	5 pc. Standard probe set	385.00
54-930-202	Z-Cal 600 XT setting master	225.00