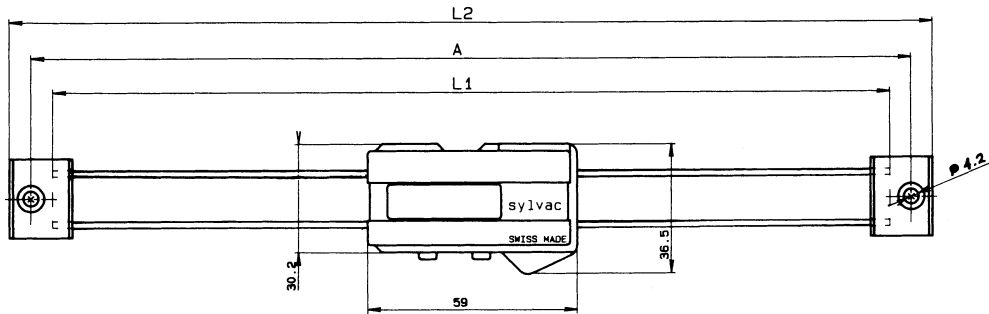
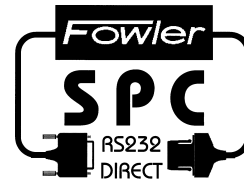
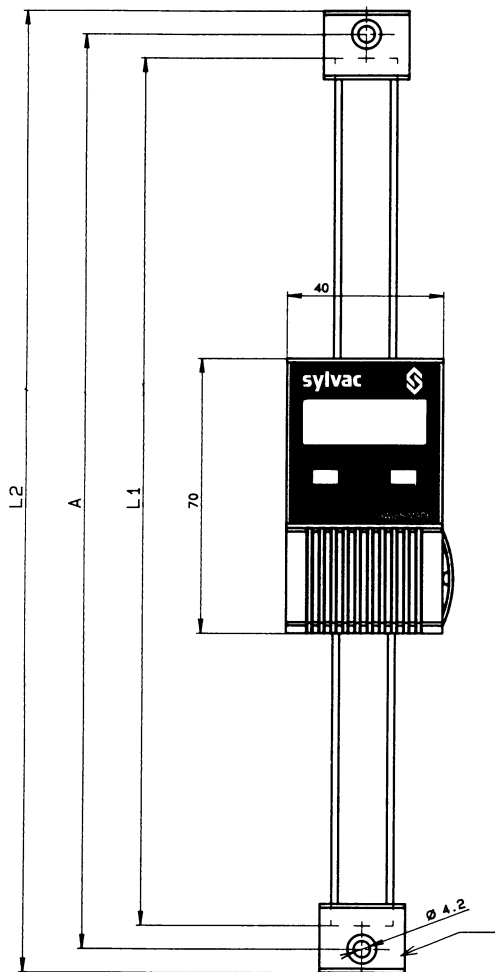


Fowler

OEM Scales



- ◆ Horizontal execution above; Vertical to the left.



Direct RS-232C serial output connects scale to any computer or serial printer without an interface!



Fowler/Sylvac's new OEM Scales represent the latest innovation in electronic measuring instruments. Designed and built by Sylvac of Switzerland, these scales use a totally new, high accuracy capacitive sensor...and direct RS232C output allows connection to PCs without any Interface!

- Lithium wafer battery (environmentally safe for disposal) offers 4500 hrs. continuous on time. Life extended 2-3 years using on/off switch.
- Direct RS-232C serial output. Allows connection of the scale to any computer or serial printer with no interface necessary!

- Accuracy .0012" / .03mm
- Resolution .0005" / .01mm
- Repeatability .0005" / .01mm ($\pm 2S$).
- Temperature range 5—40c working; -20 to 70c in storage
- Width 6.26"/16mm. Thickness .115"(3mm)
- Incremental floating zero.
- Tracking speed of approximately (60")/second.
- New large, high contrast LCD display now indicates in/mm, hold, and zero functions. Direct inch/metric conversion.

Dimensions: Horizontal & Vertical Scales			
Range	0-4"/100mm	0-6"/150mm	0-8"/200mm
A	7.76"(197mm)	9.72"(247mm)	11.73"(298mm)
L1	7.28"(185mm)	9.25"(235mm)	11.26"(286mm)
L2	8.23"(209mm)	10.20"(259mm)	12.20"(310mm)



Order No.	Description
Horizontal Scales	
54-050-004	0-4"/100mm Horizontal Scale with hold-down clamp
54-050-005	0-6"/150mm Horizontal Scale with hold-down clamp
54-050-015	0-8"/200mm Horizontal Scale with hold-down clamp
54-045-013	0-13"/300mm Caliper Style Horizontal Scale
Vertical Scales	
54-050-025	0-6"/150mm Vertical Scale with hold-down clamp
54-050-035	0-8"/200mm Vertical Scale with hold-down clamp
Accessories	
54-050-110	Individual hold-down clamp
54-050-111	Pair of hold-down clamps
54-115-333	Simplex Connecting Kit. Includes 80"(2m) connecting cable with 9 pin IBM compatible; 9/25 pin adaptor, support disk & instruction book.
54-100-350	Replacement lithium battery (type #CR2032 or BR2032).

