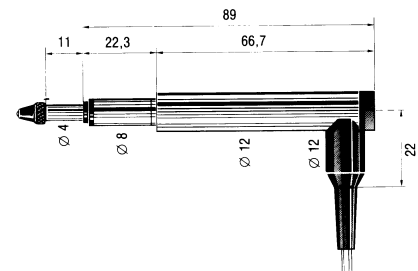
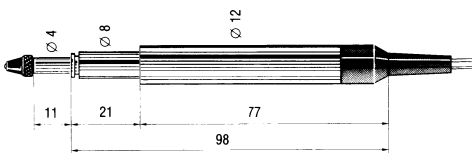
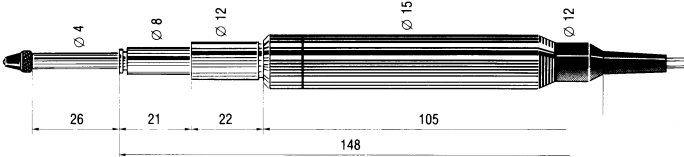
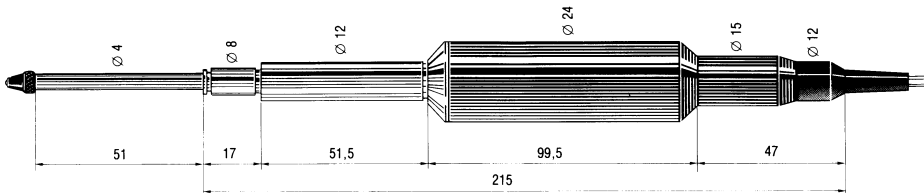


# Fowler

## Sylvac Probes



▲ (Above) top to bottom:  
#54-618-700, 500 & 400,  
and (R) right-angle probe  
#54-618-444.



# Fowler

## Sylvac Probes

*Built-in  
vacuum  
lift!*



▲ #54-618-355



▲ #54-618-350



▲ #54-618-360



▲ #54-618-365



Fowler now offers Sylvac probes with Swiss-patented Sylvac electronics in 8 styles. Choose from four measuring ranges—.2" (5mm), .400" (10mm), 1" (25mm) or extra-long range 2" (50mm). Standard, right-angle and vacuum lift units are available.

Built-in capacitive transducers provide absolute and comparative measurements. Absolute measurement means that the measured value corresponds to the mechanical datum of the probe; this remains constant—even with the power shut off. Comparative measurements allow the zero reference to be set at any point within the range.

Probes are made of stainless steel, heavily chrome-plated and supplied with 5' waterproof cable and standard carbide contact point .078"/2mm ball dia. The friction bearing design provides smooth measuring for exceptional accuracy. Probes are shock-proof and unaffected by magnetism or humidity.

Accessories include boots, points, lifting levers, foot pedal lifters, stands, stages and extra-length cable (a waterproof connector allows interchange of cables).

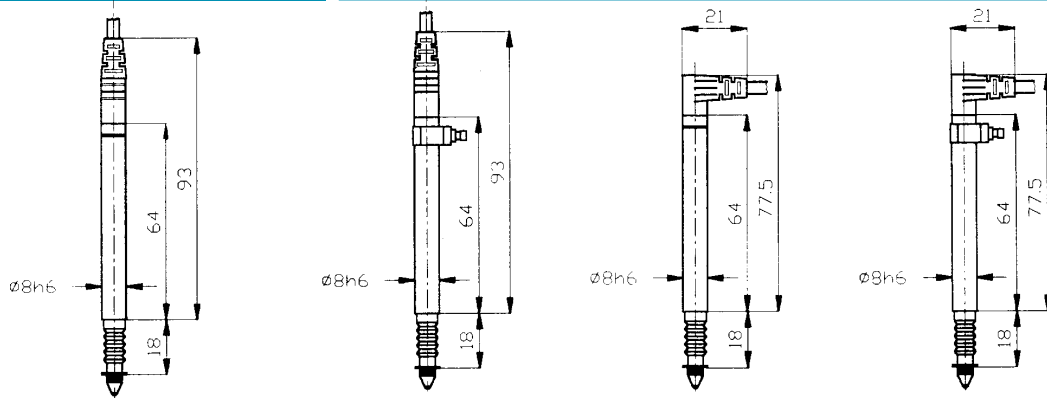
Water-resistant probes, special cables up to 75' (20m) for all Sylvac probes, and a variety of measuring forces are available. Contact our Technical Staff for quotations.

Specifications	#54-618-350/355& #54-618-360/365	#54-618-400/444	#54-618-500	#54-618-700
Linear measuring range	.2" (5mm)	.4" (10mm)	1" (25mm)	2" (50mm)
Measuring force	0.6-1.0N	0.6-0.9N	0.6-1.2N	0.6-1.4N
Increase of measuring force	0.04N/mm	0.03N/mm	0.024N/mm	0.016N/mm
Permissible lateral force	0.7N	0.6N	0.3N	0.25N
Repeatability (±2s)	.00001"/.0003mm	.00001"/.0002mm	.00001"/.0002mm	.00002"/.0004mm
Coefficient of thermal expansion	.01µm/°C	.02µm/°C	.01µm/°C	.01µm/°C
Temperature range	0-50°C	0-50°C	0-50°C	0-50°C
Cable length	5'(1.5m)	5'(1.5m)	5'(1.5m)	5'(1.5m)
Contact point thread	M25	M25	M25	M25





## Sylvac Probes



▲ Probes #54-618-350/355/360/365



Order No.	Description	Overall Accuracy
<b>Short Travel Probes:</b>		
54-618-350	Standard Probe 0—.2" (0—5mm).	.00008"(.0015mm)
54-618-355	Vacuum Probe 0—.2" (0—5mm).	.00008"(.0015mm)
54-618-360	Right-Angle Probe 0—.2" (0—5mm).	.00008"(.0015mm)
54-618-365	Right-Angle Vacuum Probe 0—.2" (0—5mm).	.00008"(.0015mm)
<b>Probes:</b>		
54-618-444	Right-Angle Probe 0-.400" (0—10mm).	.00004"(.001mm)
54-618-400	Standard Probe 0—.400" (0—10mm).	.00004"(.001mm)
54-618-500	Long Range Probe 0—1" (0—25mm).	.00006"(.0012mm)
54-618-700	Extra-Long Range Probe 0—2" (0—50mm).	.00016"(.0025mm)
<b>Accessories:</b>		
54-618-505	Foot pedal lifter for #54-618-400, 444 & 500	
54-618-510	Hand lifting attachment for #54-618-400, 444 & 500.	
54-618-515	Hand lifting attachment for #54-618-700.	
54-618-520	Photo-cable type lifter attachment for #54-618-400 & 444.	
54-618-530	Photo-cable type lifter attachment for #54-618-400, 444 & 500.	
54-618-535	Photo-cable type lifter attachment for #54-618-700.	
54-618-540	Std. contact point (included with all Sylvac probes). M2.5 thread; .080" ball.	
54-618-544	Rubber boot for #54-618-400 & 444.	
54-618-545	Rubber boot for #54-618-500.	
54-618-550	9' (2.75m) extension cable.	
54-618-600	Pneumatic lifter (air-assisted probe retractors). (For #54-618-400, 444 & 500).	
54-618-601	Pneumatic lifter (for use with #54-618-700).	
54-618-460	3/8" to 8mm bushing.	
54-618-470	M2.5/4-48 thread adapter.	
54-618-701	Replacement Cable for #54-618-700	
54-618-401	Replacement Cable for #54-618-400	
54-618-445	Replacement Cable for #54-618-444	
54-618-501	Replacement Cable for #54-618-500	
54-618-351	Replacement Cable for #54-618-350/355	
54-618-361	Replacement Cable for #54-618-360/365	
54-618-446	Heavy Duty 1.5m Replacement Cable for #54-618-400	
54-618-447	Heavy Duty 5m Replacement Cable for #54-618-400	
54-618-502	Heavy Duty 1.5m Replacement Cable for #54-618-500	
54-618-504	Heavy Duty 5m Replacement Cable for #54-618-500	



# Pneumatic Accessories for Probes

Pneumatic lifters for Sylvac probes allow remote measuring.

