

CALIPERS

Digimatic Calipers with Absolute Encoder

Series 550



550-225-10

Features

- The minimum inside measuring length is .4" on the 12" and smaller range model and 1.0" on the larger range models.
- Inside and outside measurements can be directly read from the upper and lower slider graduations, respectively.
- The Digimatic Caliper provides digital readout to .0005"/0.01mm for error-free reading.

Technical Data:

Repeatability:	.0005"/0.01mm
Display:	LCD 5-digit
Functions:	ON/OFF ZERO/ABS ORIGIN INCH/MM

Heavy Duty Dial Caliper

Series 504



504-106

Features

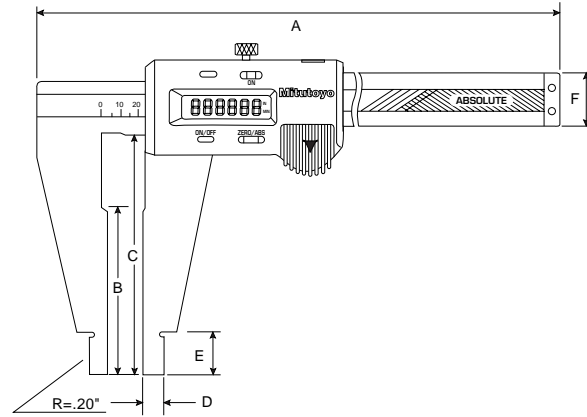
- Provides highly repeatable inside measurements.
- Direct reading of inside dimensions.

CALIPERS

Dimensions (Unit: inch)

Order No.	A	B	C	D	E	F	*t
550-221-10	11.34	1.61	2.36	.20	.31	.63	.118
550-241-10	15.87	1.97	2.95	.20	.47	.79	.150
550-223-10	24.80	2.56	3.94	.25	.71	.98	.236
550-225-10	30.71	2.56	3.94	.25	.71	.98	.236
550-227-10	48.82	3.74	5.51	.50	.94	1.26	.315
504-106	15.87	1.97	2.95	.20	.47	.79	.150

*t : Jaw Thickness



Specifications

Heavy Duty Digimatic Calipers with Absolute Encoder

Inch/Metric (with SPC output)

Order No.	Range Outside	Inside	LCD Resolution	Accuracy	Remarks
550-221-10	0-8" 0-200mm	.4-8" 10.16-200mm	.0005" 0.01mm	±.001"	without Depth Bar Absolute Function Type
550-241-10	0-12" 0-300mm	.4-12" 10.16-300mm	.0005" 0.01mm	±.0015"	without Depth Bar
550-223-10	0-18" 0-450mm	.5-18" 12.7-450mm	.0005" 0.01mm	±.002"	without Depth Bar Absolute Function Type
550-225-10	0-24" 0-600mm	.5-24" 12.7-600mm	.0005" 0.01mm	±.002"	without Depth Bar Absolute Function Type
550-227-10	0-40" 0-1000mm	1.0-40" 25.4-1000mm	.0005" 0.01mm	±.003"	without Depth Bar Absolute Function Type

Absolute Function Type SPC Connecting Cable: **959149** (1m) or **959150** (2m).

Heavy Duty Dial Caliper

Inch

Order No.	Range Outside	Dial Reading Inside	Resolution	Range/Rev	Accuracy
504-106	0-12"	.4-12"	.001"	.20"	±.002"