

Digimatic Versa Gage Series 552



552-281

Features

- Lightweight gage employing Carbon Fiber Reinforced Plastics in the beam.
- 6" and 12" Models are hardened stainless steel.
- An expandable variety of applications.
- Easy to read 6 digit LCD display with resolutions to .0005" increments.
- Inch/Metric
- SPC output.
- Hold button allowing operator to take accurate measurements in difficult and awkward positions.

Specifications

Digimatic Versa Gage

Inch/Metric

Order No.	Linear Range	Cone Range	Depth Range	Resolution	Accuracy
552-281	0-18"	1.125-19.1"	14"	.0005"	±.002"
	0-460mm	28.5-485mm	355mm	0.01mm	
552-282	0-24"	1.125-25.5"	14"	.0005"	±.002"
	0-620mm	28.5-647mm	355mm	0.01mm	
552-283	0-40"	1.35-42.3"	23"	.0005"	±.003"
	0-1040mm	34-1075mm	584mm	0.01mm	
552-284	0-60"	1.35-62.6"	23"	.0005"	±.0035"
	0-1554mm	34-1590mm	584mm	0.01mm	
552-285	0-80"	1.35-86.5"	NA	.0005"	±.0045"
	0-2170mm	34-2197mm		0.01mm	
552-286*	0-6"	.75-6.9"	6"	.0005"	±.0015"
	0-152.4mm	19-175mm	152.4mm	0.01mm	
552-287*	0-12"	.75-12.75"	7.5"	.0005"	±.0015"
	0-322mm	19-322mm	190mm	0.01mm	

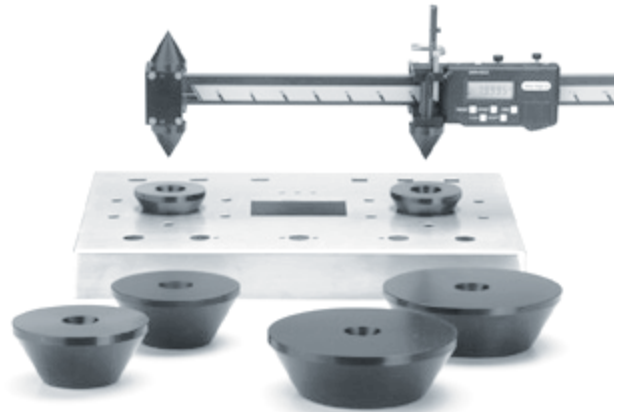
*Optional accessories are not available for 6" and 12" models.

Digimatic Versa Gage Series 552

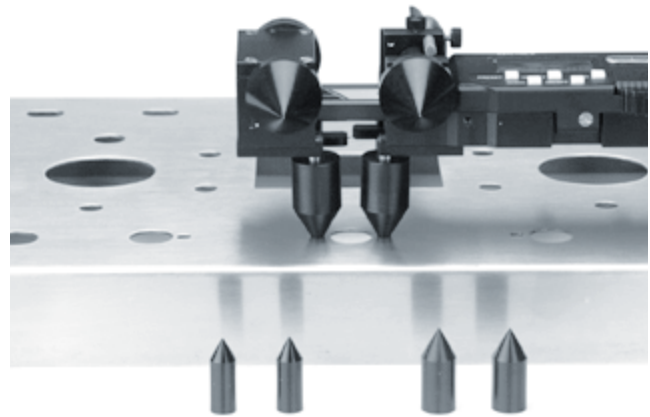
Optional Accessories*

Order No.	Description
64AAA520	ø2.25" Cone Center Extender (Pair)
64AAA521	ø3.62" Cone Center Extender (Pair)
64AAA522	ø5" Cone Center Extender (Pair)
64AAA523	ø.5" Cone Center Reducer (Pair)
64AAA524	ø.75" Cone Center Reducer (Pair)
64AAA525	Flange Pin Reducer Block
64AAA526	#34 Single Cone #4-48 Tapped for 40", 60", 80" Gages
64AAA527	#34 Dual Cone #4-48 Tapped for 40", 60", 80" Gages
64AAA528	#28.5 Dual Cone #4-48 for 18", 24" Gages
64AAA529	#28.5 Single Cone #4-48 for 18", 24" Gages
64AAA530	Edge Guides for 40", 60" 80"
64AAA531	Edge Guides for 18", 24"
64AAA532	Wooden Box for 18"
64AAA533	Wooden Box for 24"
64AAA534	Wooden Box for 40"
64AAA535	Wooden Box for 60"
64AAA536	Wooden Box for 80"
905338	SPC output cable (1m)
905409	SPC output cable (2m)
541980	SR44 Battery

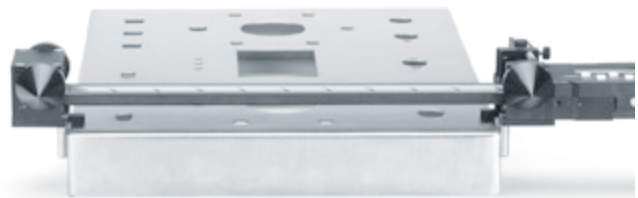
*6" and 12" models cannot use optional accessories.



Cone Extenders



Cone Reducers



Length and Width