

CALIPERS

Vernier Calipers Series 160, 534



Features

- With a fine-adjustment carriage to fine-feed the slider.
- Long jaws for measuring hard-to-reach portions.
- The jaws have round measuring faces for accurate ID measurement.
- No depth measuring bar.

Specifications

Long Jaw Vernier Calipers with Fine Adjustment.

Inch

Order No.	Range Outside	Range Inside	Vernier Resolution		Accuracy
			Outside	Inside	
534-117	0–12"	.3–12"	.001"	.001"	±.002"
534-118	0–20"	.8–20"	.001"	.001"	±.003"
534-119	0–30"	.8–30"	.001"	.001"	±.004"
534-120	0–40"	.8–40"	.001"	.001"	±.004"

Inch/Metric

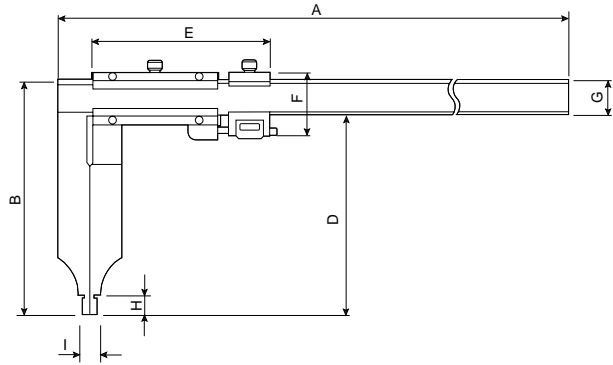
Order No.	Range		Vernier Resolution		Accuracy
	Lower scale	Upper scale	Lower scale	Upper scale	
534-105	0–300mm	0–12"	0.02mm	.001"	±0.04mm
534-106	0–500mm	0–20"	0.02mm	.001"	±0.06mm
534-107	0–750mm	0–30"	0.02mm	.001"	±0.08mm
534-108	0–1000mm	0–40"	0.02mm	.001"	±0.10mm

CALIPERS

Dimensions

Order No.	A	B	D	E	F	G	H	I	t*
534-105	17.52"	4.33"	3.55"	4.06"	1.5"	.79"	.47"	.394"	.150"
534-117								.3"	
534-106	26.85"	8.86"		4.41"	2.01"	.98"		.787"	.236"
534-118								.8"	
534-107	39.17"		7.87"				.73"	.787"	
534-119		9.14"		5.91"	2.46"	1.26"		.8"	.315"
534-108	48.43"							.787"	
534-120								.8"	
160-124								.3"	
160-125	17.52"	3.74"	2.95"	4.06"	1.5"	.79"	.47"	.5"	.150"
160-127								.394"	
160-116								.5"	
160-119	24.88"							.5"	
160-128		4.92"	3.94"	4.41"	2.01"	.98"	.71"	.787"	.236"
160-102								.5"	
160-103	30.71"							.5"	
160-101								.787"	
160-105								1.0"	
160-106	48.82"	6.77"	5.51"	5.91"			.95"	1.0"	.315"
160-104					2.46"	1.26"		.787"	
160-111								1.0"	
160-112	70.87"	8.35"	7.09"	6.7"			1.18"	1.0"	
160-110								.787"	

* t ; Jaw Thickness



Vernier Calipers with Nib Style Jaws and Fine Adjustment

Inch

Order No.	Range Lower scale	Range Upper scale	Vernier Resolution		Accuracy
			Lower scale	Upper scale	
160-124	0-12"	.3-12"	.001"	.001"	±.0015"
160-116	0-18"	.5-18"	.001"	.001"	±.002"
160-102	0-24"	.5-24"	.001"	.001"	±.002"
160-105	0-40"	1.0-40"	.001"	.001"	±.003"
160-111	0-60"	1.0-60"	.001"	.001"	±.004"
160-114	0-80"	1.0-80"	.001"	.001"	±.005"

Inch/Metric

Order No.	Range Lower scale	Range Upper scale	Vernier Resolution		Accuracy
			Lower scale	Upper scale	
160-125	0-12"	0-300mm	.001"	0.02mm	±.0015"
160-119	0-18"	0-450mm	.001"	0.02mm	±.002"
160-103	0-24"	0-600mm	.001"	0.02mm	±.002"
160-106	0-40"	0-1000mm	.001"	0.02mm	±.003"
160-112	0-60"	0-1500mm	.001"	0.02mm	±.004"

Metric

Order No.	Range Outside	Range Inside	Vernier Resolution		Accuracy
			Outside	Inside	
160-127	0-300mm	10-300mm	0.02mm	0.02mm	±0.04mm
160-128	0-450mm	20-450mm	0.02mm	0.02mm	±0.05mm
160-101	0-600mm	20-600mm	0.02mm	0.02mm	±0.05mm
160-104	0-1000mm	20-1000mm	0.02mm	0.02mm	±0.07mm
160-110	0-1500mm	20-1500mm	0.02mm	0.02mm	±0.09mm